

Model #
EV2K

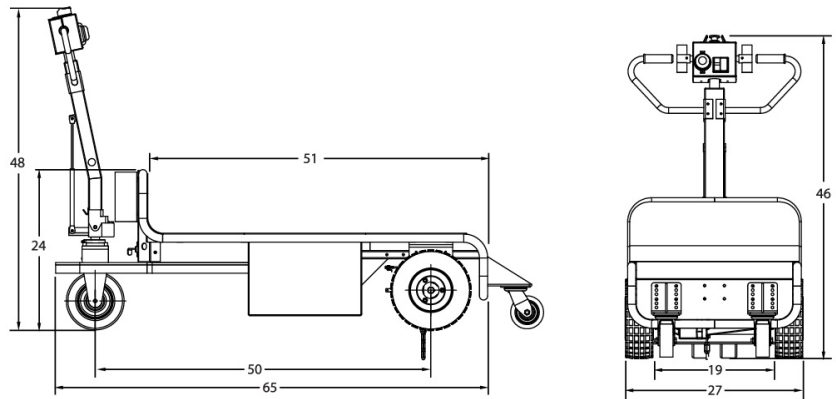


EV2K is an easy wagon steer design for lighter loads. The 51" bed can be customized to fit your needs.

- **Capacity:** 3,000 lbs
- **Platform Dim:** 27" x 65" x 48" w/o 5th Wheel Arm
- **Weight:** 975 lbs.

Features:

- 1500 lb. Differential / Transaxle
- 36V - (3) 80Amp Batteries
- HO Motor/Controller/Electric Brake Option
- 0-3 mph FWD/REV Variable Speed Grip
- Adjustable Acceleration/Braking
- Non-Marking Tires
- Battery Discharge Indicator
- Tubular Steel Frame
- Safety Stop Switch and Guard Kit



Optional Upgrades

- Safety Horn
- HD Transaxle/Motor/Electric Brake Option
- Maintenance Free Batteries
- 15A Sealed Battery Charger Upgrade
- Larger Bed
- Foam Filled Tires (Set)

